

# Wilbur Davis Studios



This pendant light features solid wood, cloth covered cord and metal bonnet in a variety of options.

## **Materials**

Spun Steel or Brass  
Hardwood

## **Weight**

2 lbs

## **Wood Options**

Walnut, Beech, Cherry, Mahogany,  
Maple White Oak, Red Oak, White Ash

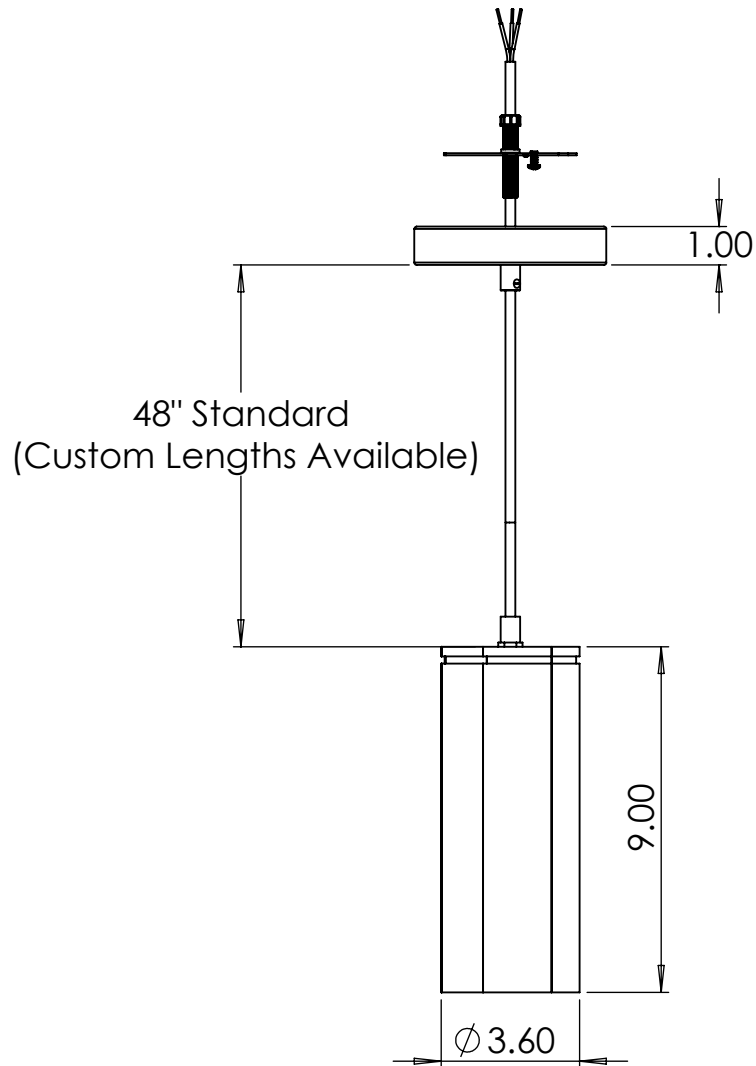
## **Metal Options**

White, Black, Chrome, Brushed Nickel,  
Brass

## **Cord Color Options**

White, Black

Cylinder Pendant Light  
Wilbur Davis Studios  
info@wilburdavisstudios.com  
617-710-8783



**Lamping**

120V - E26 Base

**Bulb Included**

6.5W 50W Equivalent LED

PAR 20

500 Lumen Output

3000K

E26 Base / Dimmable / 120 Volt

**Materials**

Spun Steel or Brass

Hardwood

**Weight**

2 lbs

**Wood Options**

Walnut, Beech, Cherry, Mahogany,  
Maple White Oak, Red Oak, White Ash

**Metal Options**

White, Black, Chrome, Brushed Nickel,  
Brass

**Cord Color Options**

White, Black

Fits all standard junction boxes.  
Dry environment only.

Cylinder Pendant Light  
Wilbur Davis Studios  
info@wilburdavisstudios.com  
617-710-8783