



Lamping

120V - E26 Base

Bulb Included

5.5W 60W Equivalent LED

G25

500 Lumen Output

2700K

E26 Base / Dimmable / 120 Volt

Materials

Spun Steel or Brass

Hardwood

Weight

4 lbs

Wood Options

Walnut, Beech, Cherry, Mahogany, Maple

White Oak, Red Oak, White Ash

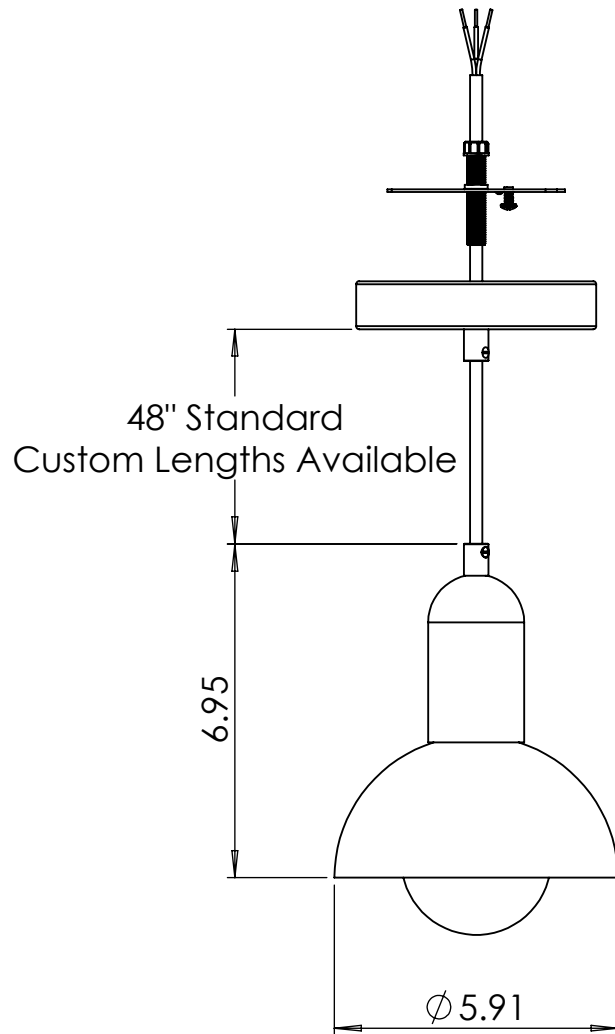
Metal Options

White, Black, Brushed Steel, Brass

Fits all standard junction boxes.

UL Certified for Dry environment only.

Hemisphere Pendant Light
Wilbur Davis Studios
info@wilburdavisstudios.com
617-710-8783



Lamping

120V - E26 Base

Bulb Included

5.5W 60W Equivalent LED

G25

500 Lumen Output

2700K

E26 Base / Dimmable / 120 Volt

Materials

Spun Steel or Brass

Hardwood

Weight

4 lbs

Wood Options

Walnut, Beech, Cherry, Mahogany, Maple

White Oak, Red Oak, White Ash

Metal Options

White, Black, Brushed Steel, Brass

Fits all standard junction boxes.

UL Certified for Dry environment only.

Hemisphere Pendant Light
Wilbur Davis Studios
info@wilburdavisstudios.com
617-710-8783