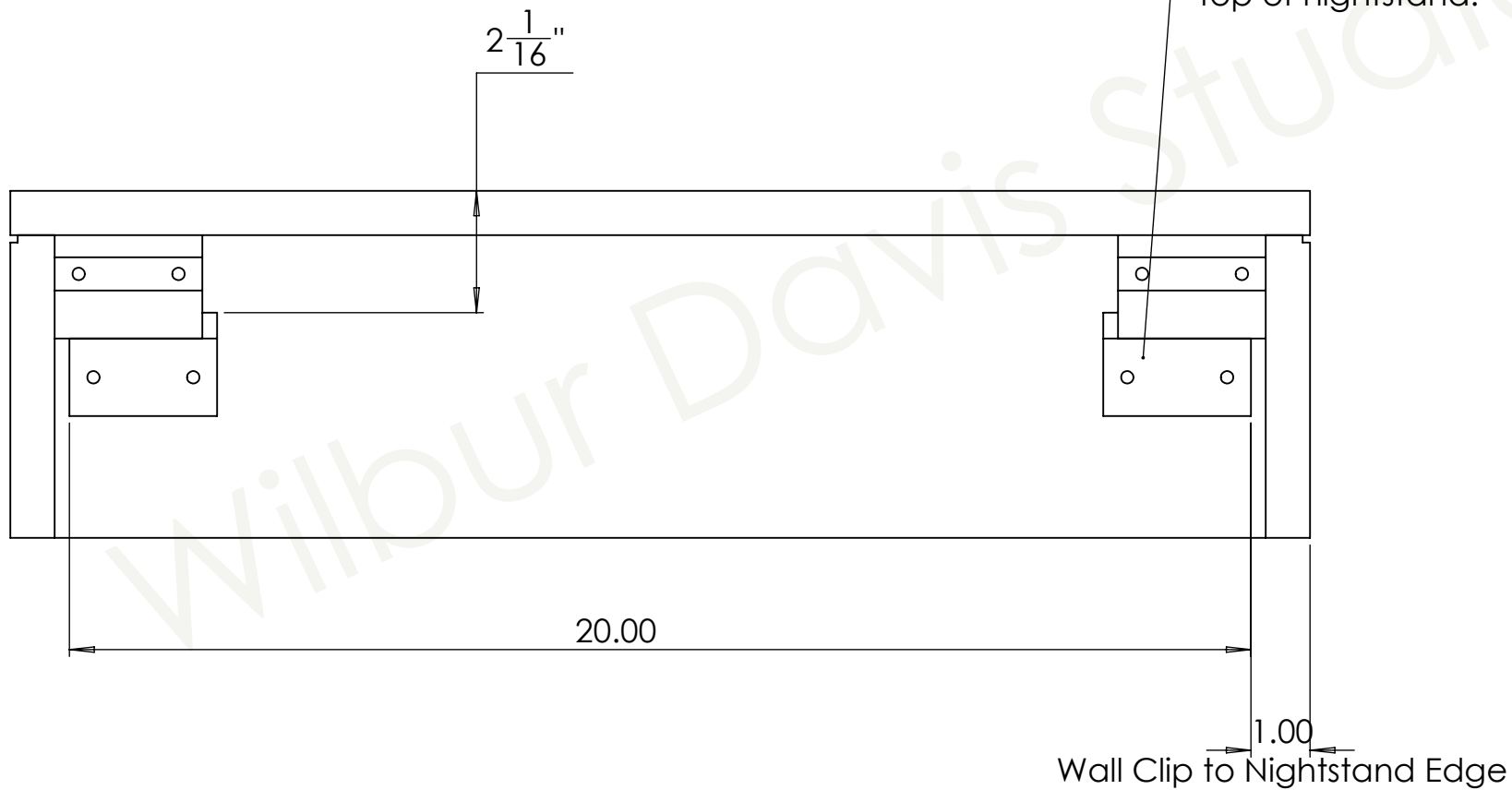


Wilbur Davis Studios

Attach Z Clip to wall using included anchors.

Clips should be installed level, with an overall span of 20.00 in. (This allows a small amount of side-to-side adjustment)

Top of wall clip will be $2\frac{1}{16}$ " below top of nightstand.



MODEL: Nightstand2_Floating
CONFIG: Large
DRAWING: Nightstand2_Floating_InstallationInstructions
MODIFIED: 11/2/2019 9:19:11 AM

SCALE: 1:3

SHEET 1 OF 1