



**Lamping**

120V - E26 Base

**Bulb Included**

8.5W 60W Equivalent LED

G40

800 Lumen Output

Dimmable

2700K

E26 Base / Dimmable / 120 Volt

**Materials**

Spun Steel or Brass

Hardwood

**Weight**

4 lbs

**Wood Options**

Walnut, Beech, Cherry, Mahogany, Maple

White Oak, Red Oak, White Ash

**Metal Options**

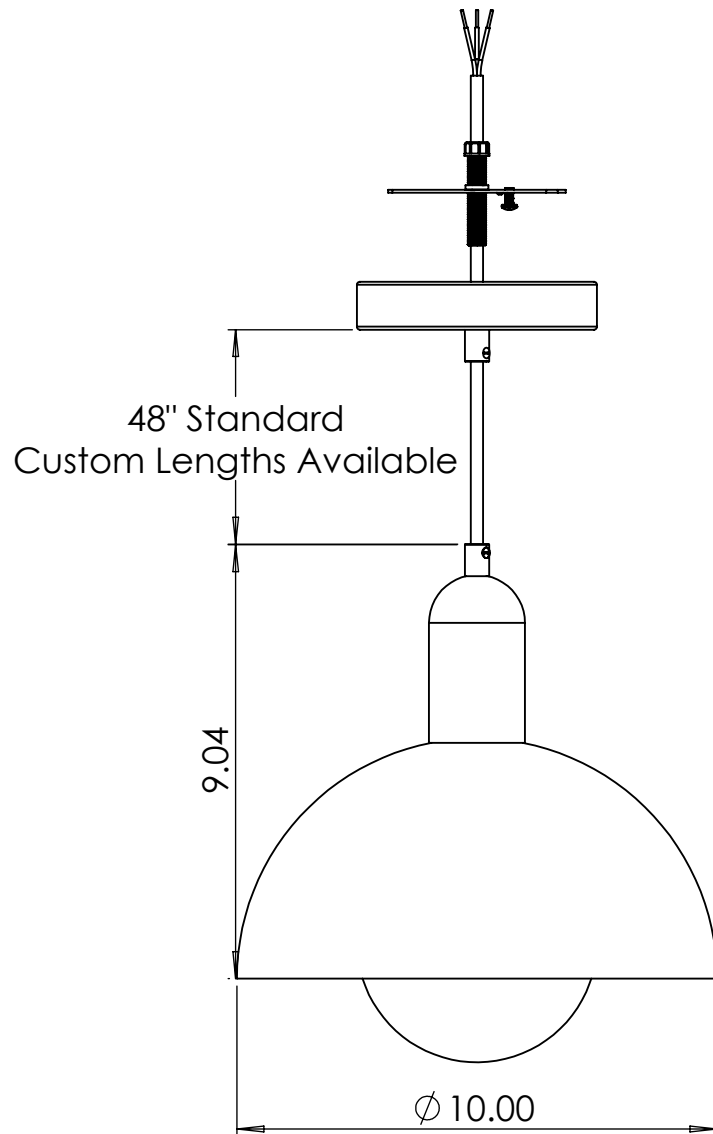
Ceiling Canopy: Brass, Black, White, Brushed  
Nickel, Chrome

Metal Shade: Brass, Black, White, Brushed  
Steel

Fits all standard junction boxes.

UL Certified for Dry environment only.

Hemisphere Pendant Light - 10 inch  
Wilbur Davis Studios  
info@wilburdavisstudios.com  
617-710-8783



**Lamping**

120V - E26 Base

**Bulb Included**

8.5W 60W Equivalent LED

G40

800 Lumen Output

Dimmable

2700K

E26 Base / Dimmable / 120 Volt

**Materials**

Spun Steel or Brass

Hardwood

**Weight**

4 lbs

**Wood Options**

Walnut, Beech, Cherry, Mahogany, Maple White Oak, Red Oak, White Ash

**Metal Options**

Ceiling Canopy: Brass, Black, White, Brushed Nickel, Chrome

Metal Shade: Brass, Black, White, Brushed Steel

Fits all standard junction boxes.

UL Certified for Dry environment only.

Hemisphere Pendant Light  
Wilbur Davis Studios  
info@wilburdavisstudios.com  
617-710-8783