



Lamping

120V - E26 Base, 60W Max

Bulb Included

9W 60W Equivalent LED

A19

800 Lumen Output

2700k (soft white)

E26 Base / Dimmable / 120 Volt

Materials

Spun Steel or Brass

Hardwood

Opal Glass

Weight

3.5 lbs

Wood Options

Walnut, Cherry, Mahogany, Maple

White Oak, White Ash

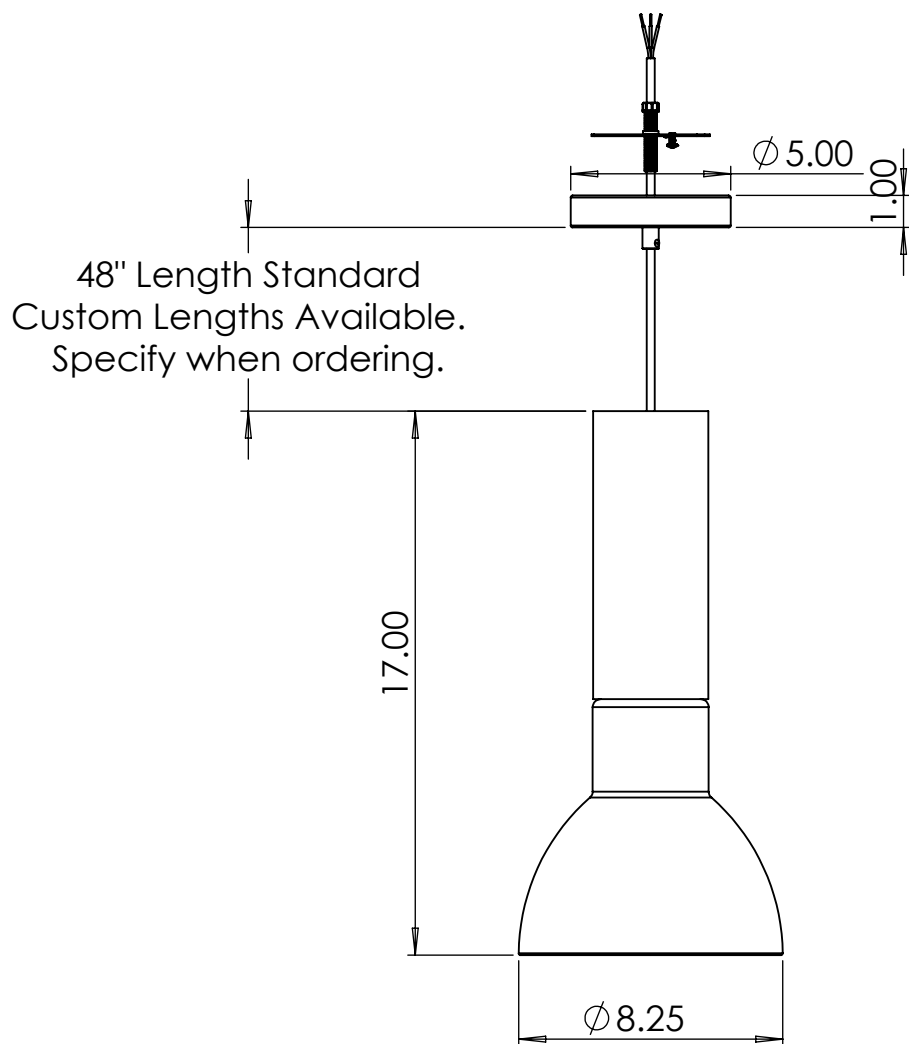
Metal Options

White, Black, Chrome, Brushed Nickel, Brass

Fits all standard junction boxes.

UL Certified for Dry environment only.

Elton Pendant Light
Wilbur Davis Studios
info@wilburdavisstudios.com
617-710-8783



Lamping

120V - E26 Base, 60W Max

Bulb Included

9W 60W Equivalent LED
A19
800 Lumen Output
2700k (soft white)
E26 Base / Dimmable / 120 Volt

Materials

Spun Steel or Brass
Hardwood
Opal Glass

Weight

3.5 lbs

Wood Options

Walnut, Cherry, Mahogany, Maple
White Oak, White Ash

Metal Options

White, Black, Chrome, Brushed Nickel, Brass

Fits all standard junction boxes.
UL Certified for Dry environment only.

Elton Pendant Light
Wilbur Davis Studios
info@wilburdavisstudios.com
617-710-8783